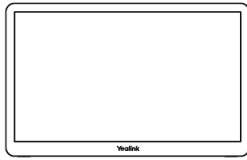
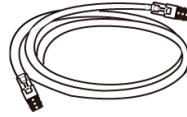


MTouch Plus Installation

Package Contents

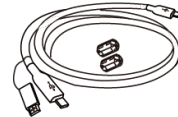


MTouch Plus



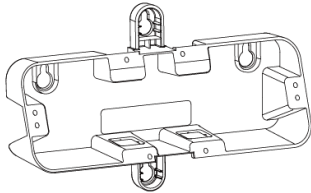
(7.5m, 24.6ft)

CAT5e UTP (RJ45 - RJ45) Cable



(1.2m, 3.94ft)

USB 3.1 (C - C, HDMI) Cable



(207.44 mm * 126.99 mm)

Mounting Bracket



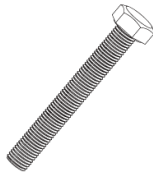
× 4

φ6 * 30 mm, white, Polyamide



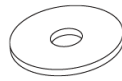
× 4

4*30 FAHOZN3+ (+)



× 2

M8*60mm,SUS304



(M8, φ30*T2mm, SUS304)

Washer



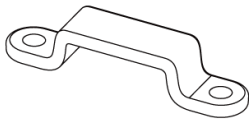
× 2



× 2

(M8,SUS304)

Wing Nuts



Lock cable buckle



× 4

2.5*8.0PAHOZN3+(+)



× 4

2.5*9.0FMHZN(+)



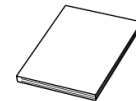
(L200*W62.5*T1.2mm)

Double-Coating Tape



(WH-85*3.0mm)

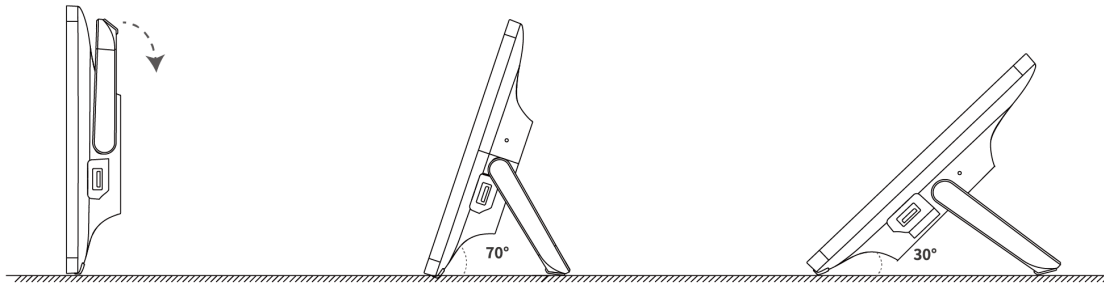
Screwdriver



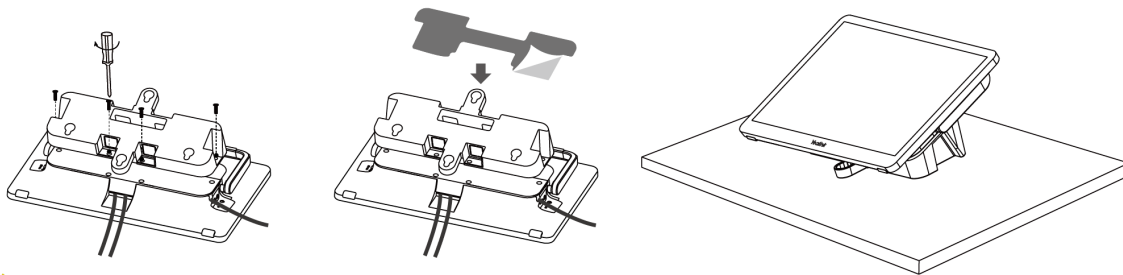
Quick Start Guide


Installation

Put on a table

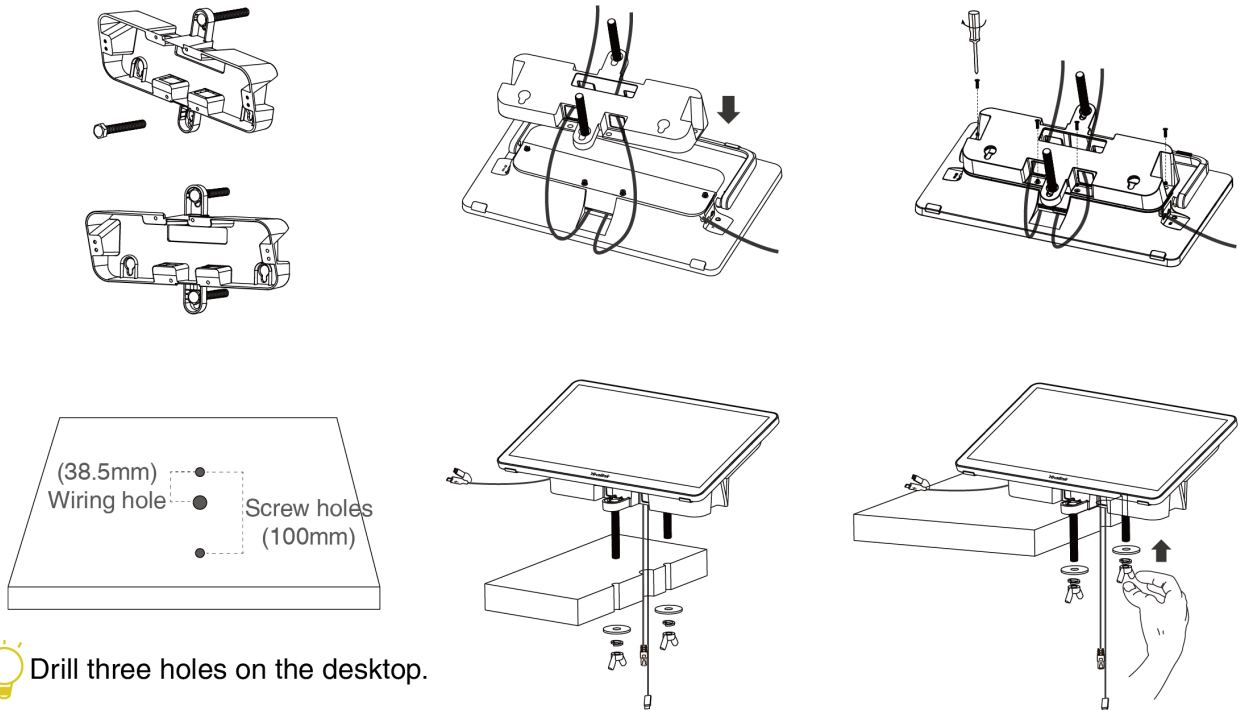



Stick on a table



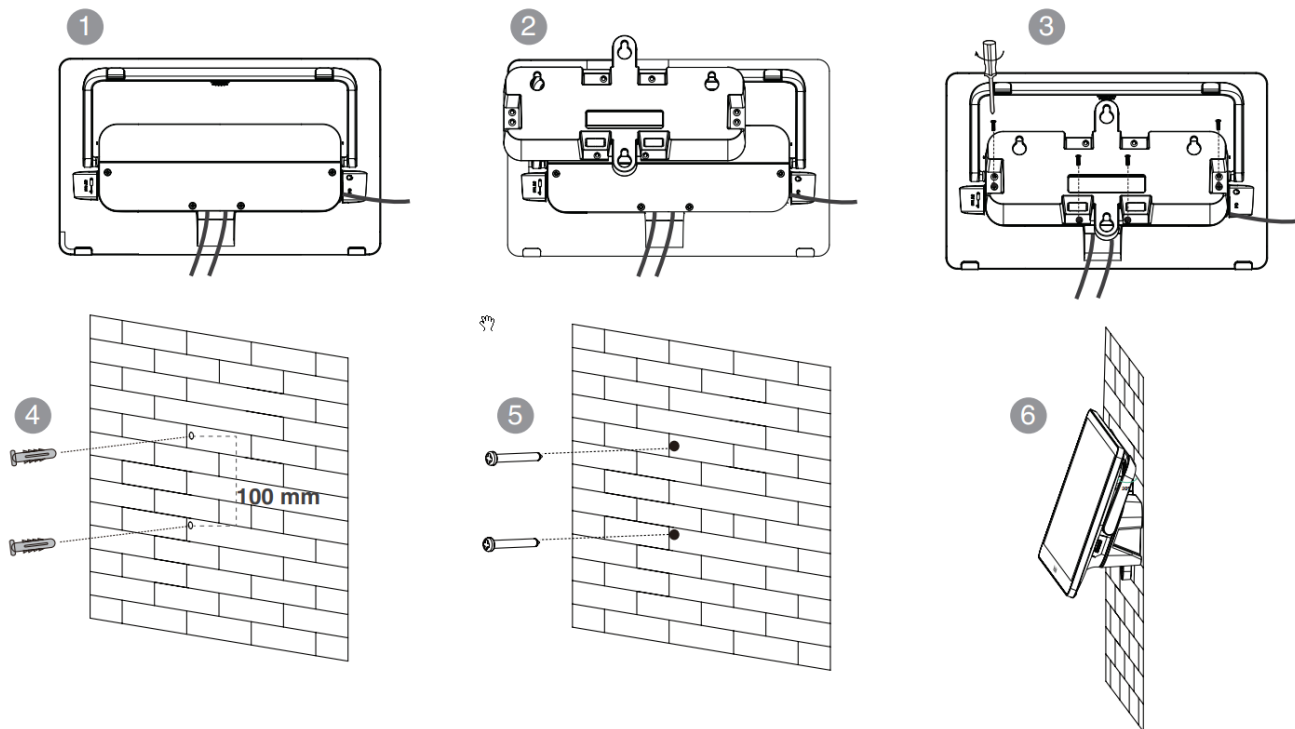
 Please select the outlet hole according to your need.

Fix on a table



 Drill three holes on the desktop.

Wall installation

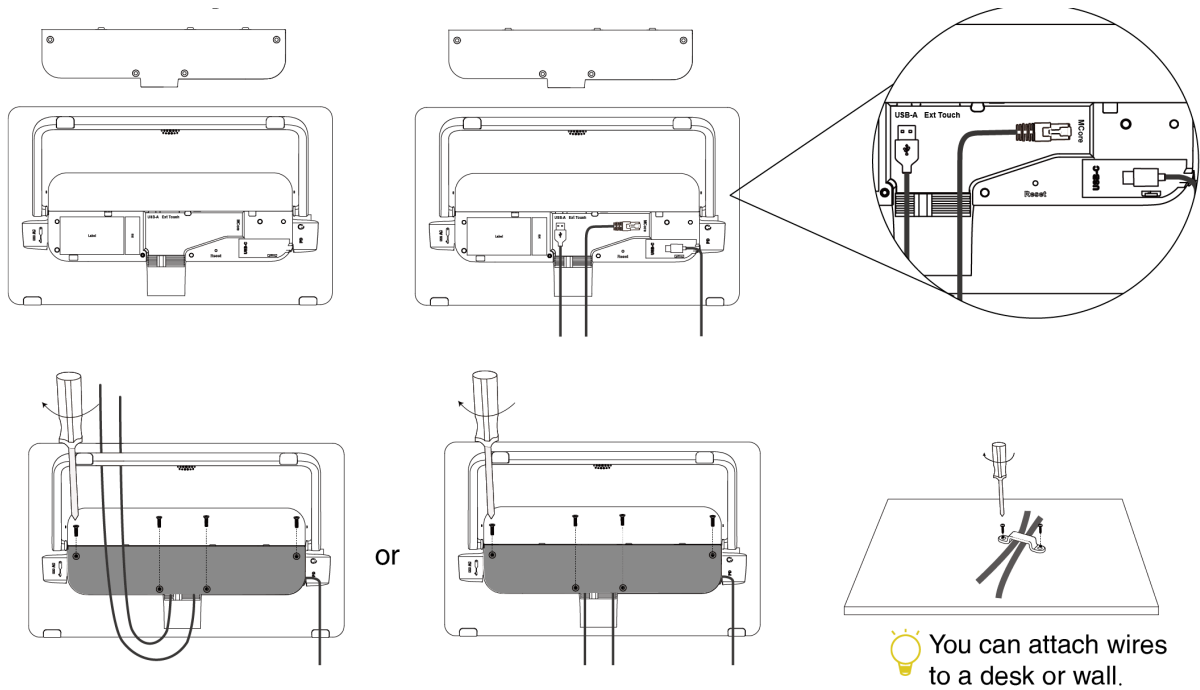


NOTE

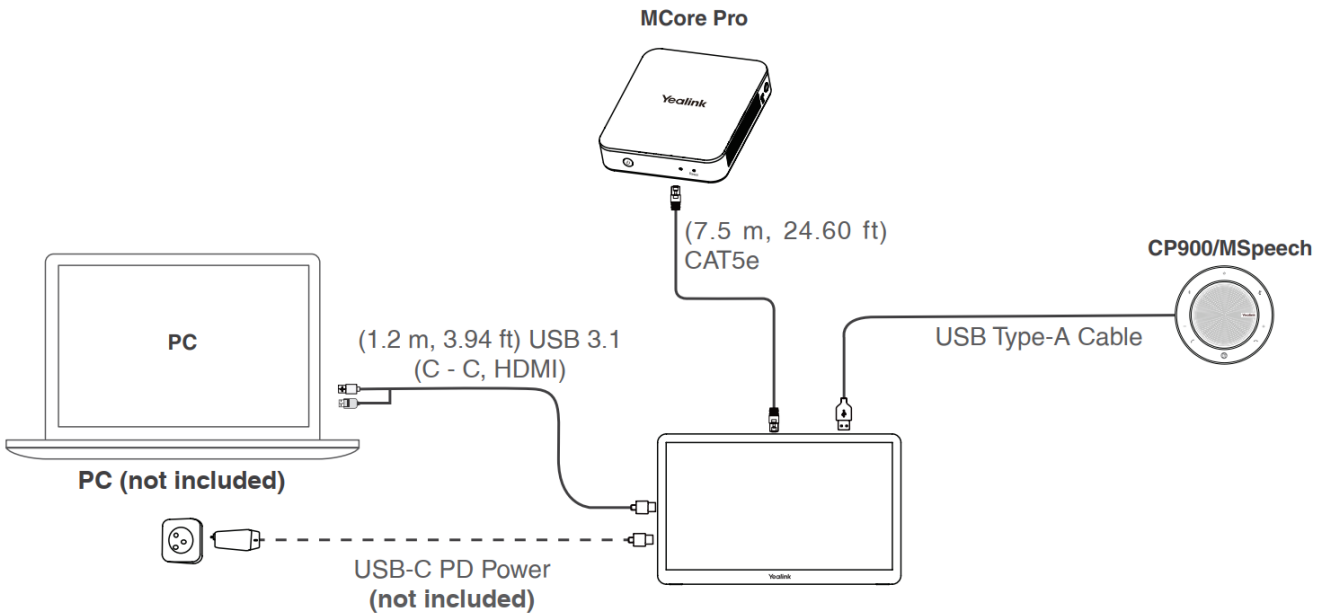
- We recommend that the height of the wall installation is 1m~1.5m from the ground.
- Please select the outlet hole according to your needs. You can wire through the wall if the conference room environment allows.

Connection

Assemble your MTouch Plus



Connect your MTouch Plus



- NOTE**
- You can purchase an additional PD power supply to power the PC.
 - Not included accessories requirements:
 - PC: Equipped with HDMI or USB-C (support DP protocol) Port.
 - USB-C PD Power: A PD power adapter with a power transmission greater than 45W, equipped with a USB-C cable.

Hardware Interface

Please refer to [MVC Hardware Overview - MTouch Plus](#) for details.