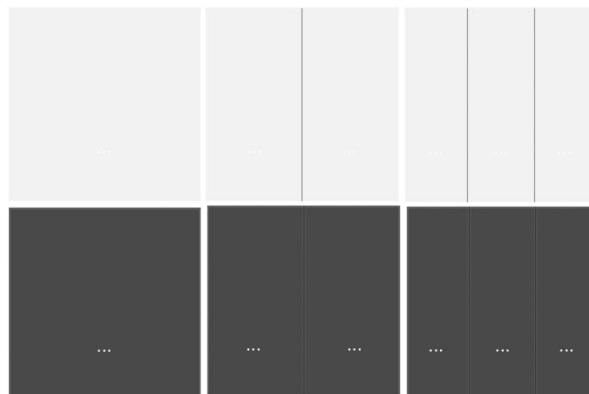


Product Introduction

This smart live-wire-only switch features AG glass for a smooth and comfortable touch. It supports live-wire-only connections, making it easy to install in new homes or retrofitting existing ones without complex rewiring.

Features

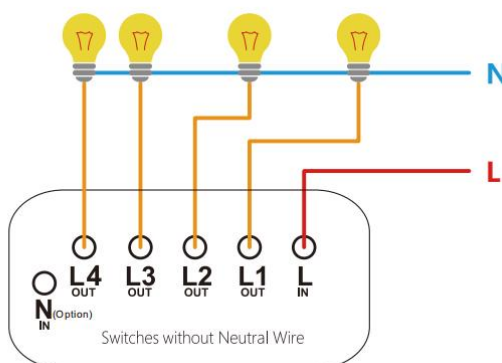
- Smooth, fingerprint-resistant AG glass
- Available in two colors with 1 to 3 relay options to suit various needs
- Wide voltage range for broad applications
- Standard European design.
- Support control via Belahome APP and HyPanel devices



Specification

- Product Model: SM-1GWN/SM-2GWN/SM-3GWN
- Input Voltage: 100 ~ 250VAC, 50/60Hz
- Communication Method: ZigBee 3.0
- Load Power: Max 200W/channel (LED load)
Max 300W/channel (Resistive load)
- Control Unit: 10A magnetic holding relay
- Color: White/Black
- Working Temperature: -20 ~ 70°C
- Working Humidity: 0 ~ 95%RH (non-condensing)
- Product Dimensions: 86×86×35mm
- Cable Cross-sectional Range: 1-4mm²
(recommended)
- Protection Level: IP20
- Certification: CE

Wiring Diagram



Networking Method

1. Connect the power supply according to the wiring diagram to power the device.
2. Press and hold any button for about 10 seconds until the indicator flashes quickly, indicating that it has entered pairing mode.
3. Add the device to the network through a gateway device.