



Installation Guide

HyPanel Ultra



Smarter Home |
Sweeter Life

Welcome!

This guide applies to the PH81-KNX-EU model of HyPanel Ultra.

Contents

Before We Start	2
In the Box	3
Check Compatibility	4
Wiring	6
Installation	12
Get Help	18

Before We Start

Your first time installing this product may take up to 40 minutes.

You'll get faster after each installation.



Warning

The installation procedure may involve handling high voltage wiring. Please be careful. To avoid serious personal injury, death, or property damage, turn OFF the power to the circuit and follow all safety precautions before proceeding.

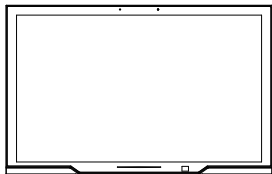
Working with electricity can be dangerous. If you are unsure about, or uncomfortable with the installation, seek the help of a qualified electrician.



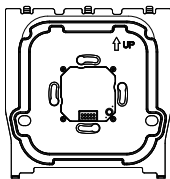
Warning

Keep the device and all its parts out of the reach of children. The small parts or accessories contained may be a choking hazard to them.

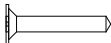
In the Box



HyPanel Ultra x1



Flush Mounted Module x1



ST3X20mm Phillips Self
Tapping Screw x2



M4X20mm Phillips
Machine Screw x2



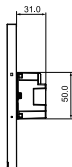
Hex Key x1

Check Compatibility

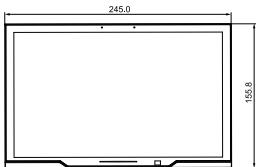
Product dimensions(mm)



⑤ BOTTOM VIEW



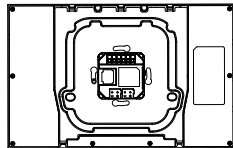
② RIGHT VIEW



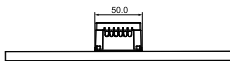
① FRONT VIEW



③ LEFT VIEW



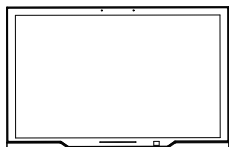
④ BACK VIEW



⑥ TOP VIEW

Working space

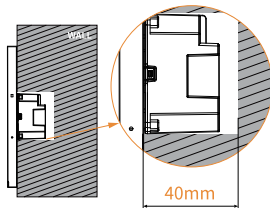
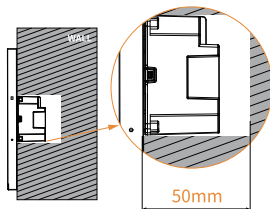
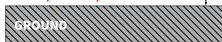
Make sure HyPanel Ultra is compatible with the location where you want to install it.



① HYPANEL ULTRA FRONT VIEW

1100-1600mm TO BOTTOM OF PANEL

ADA Compliance Requirement



② SIDE VIEW: HYPANEL ULTRA IN WALL

A 50mm(2 inches) deep electrical box is highly recommended for ease of installation.

Input and output requirements

- For dry contacts: Max 4A at 100-240V AC per gang
- For the digital input: 0-5V DC

12-24V DC auxiliary power supply required

HyPanel Ultra needs a 12-24V DC power supply to function properly.

Support Wi-Fi and Ethernet connections

HyPanel Ultra can operate with both wireless and wired networks. A wired connection is recommended for greater reliability and faster data exchange.

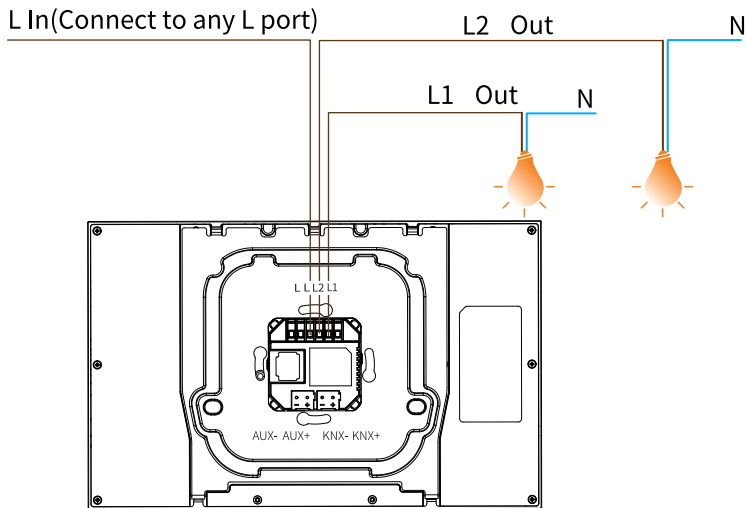
Wiring

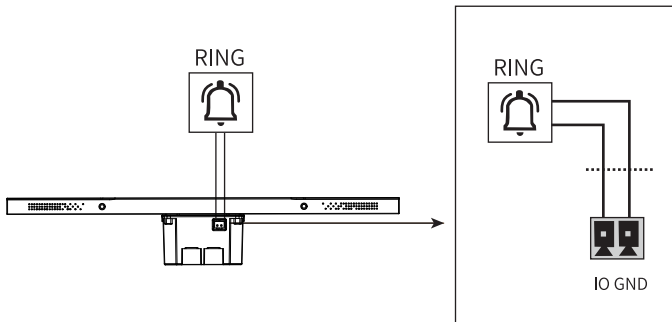


Warning

Turn OFF the circuit breaker before wiring and proceeding!
Always use a voltage detector to verify the power is OFF before wiring and installation!

Identify wires





- The Line wire (L) connects to any one of the L terminals, providing 100-240 Volts of power to the dry contact devices.
- L1 and L2 are Load wires that connect the HyPanel Ultra to the dry contact devices.
- KNX+ and KNX- are connected to KNX bus.
- AUX+ and AUX- provide 12-24V DC auxiliary power supply to HyPanel Ultra.
- IO and GND are used to link a door bell or 0-5V DC sensors.

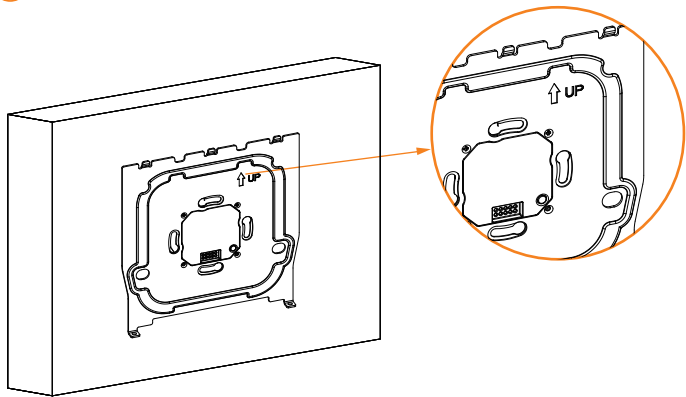
Connect wires

1 Strip and straighten wires

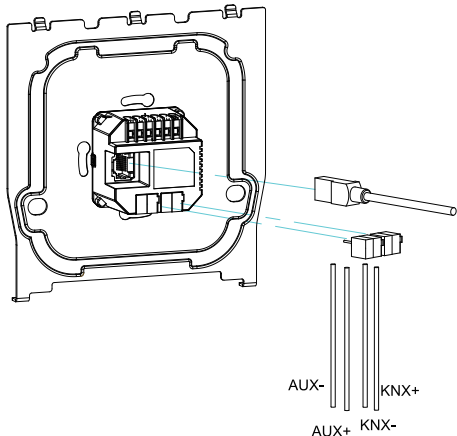


The line and load wires connected to HyPanel Ultra should be $0.75\text{mm}^2 \sim 1.6\text{mm}^2$ in size and have stripped and straight ends. Remove the plastic sheathing of the wire, and make sure the exposed wire ends measure approximately 8 mm (5/16 inch) in length.

2 Connect all wires



Always make sure the arrow on the front of the flush mounted module is pointing up.



Connect KNX and AUX cables to the corresponding terminals.

- **If you need to link dry contact devices**

- Connect the Line wire to any one of the L terminals.
- Connect the Load wire(s) to the L1 and/or L2 terminals.
- Tighten the screws clockwise with a screwdriver until wires are secure.
- Double check by gently tugging on each wire.

- **If you want to use wired network**

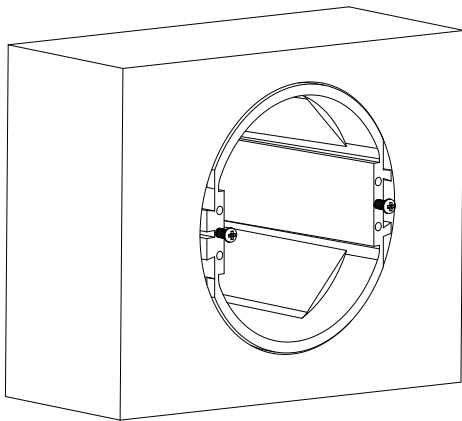
Plug the RJ45 network cable to the Ethernet port.

- **If you want to link a door bell or 0-5V sensors**

Insert the IO and GND wires of the doorbell into the terminals at the bottom of the flush mounted module.

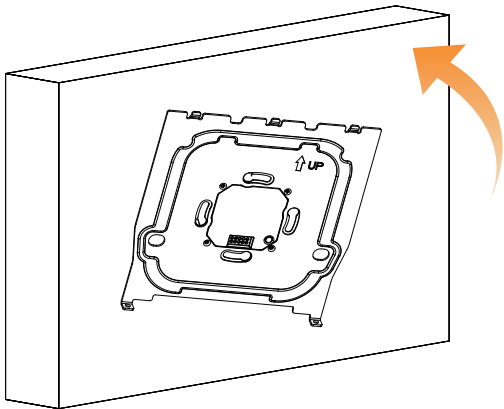
Installation

① Insert screws

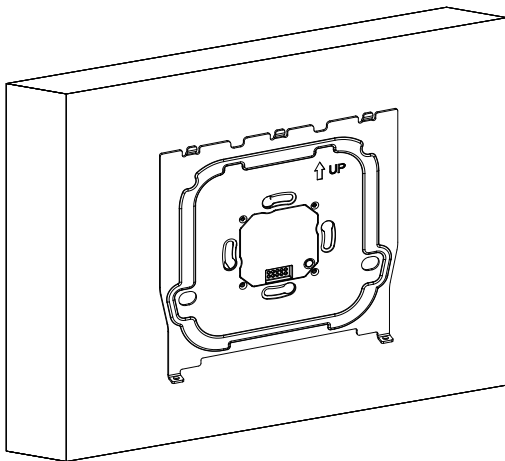


- Insert the supplied screws into the designated holes on the electrical box.
- Change the torque on the electric screwdriver to 5kgf.cm.
- Turn screws clockwise with the screwdriver.
- Do not fully tighten the screws. The screw head must protrude at least 3 mm (1/8 inch) from the wall surface.

2 Install flush mounted module



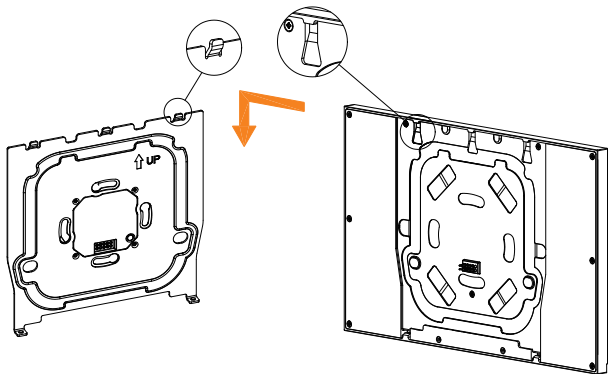
- Attach the flush mounted module to the electrical box. The screws should go through the holes on the module.



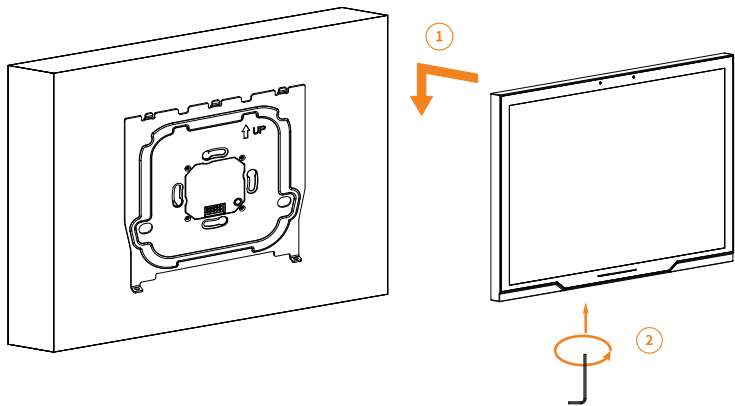
- ◆ Adjust the module to be level and ensure it is flush against the wall.
- ◆ Tighten the screws to attach the module to the wall, taking care not to over-tighten them.

3 Install panel

⚠ Turn OFF the circuit breaker before you install the panel.



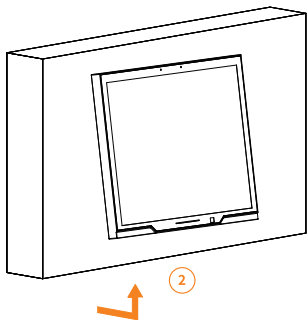
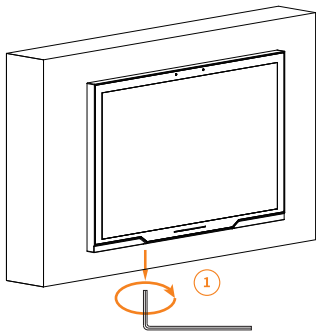
Line up the two clips on the flush mounted module with the notches on the panel. Snap the panel into place and press it down.



- Check the panel is properly clipped onto the module and is flush against the wall.
- Locate two screw holes on the bottom of the panel, each already containing a screw.
- Tighten the screw with the included hex key.

If you need to remove the panel

1. Turn the screws with the hex key until the rear edge of the panel comes loose.
2. Hold the panel's top with one hand, and pull the panel outwards from the bottom.



Congratulations!

You are done with the HyPanel Ultra installation!

Start your smart home journey with akubela now!

Get Help

For help or more assistance,
contact us at: <https://ticket.akuvox.com/>

For videos, guides, and additional product formation,
visit us at: <https://knowledge.akuvox.com>

 akubela



YS81000038