

Applicable Model

PH81-KNX-EU

Drawing Title

Home Control
Center Panel

Drawing Unit

mm

Drawing Scale

Not to scale

**DRAFT
CHANGE TO
SUBJECT**

Last Revised

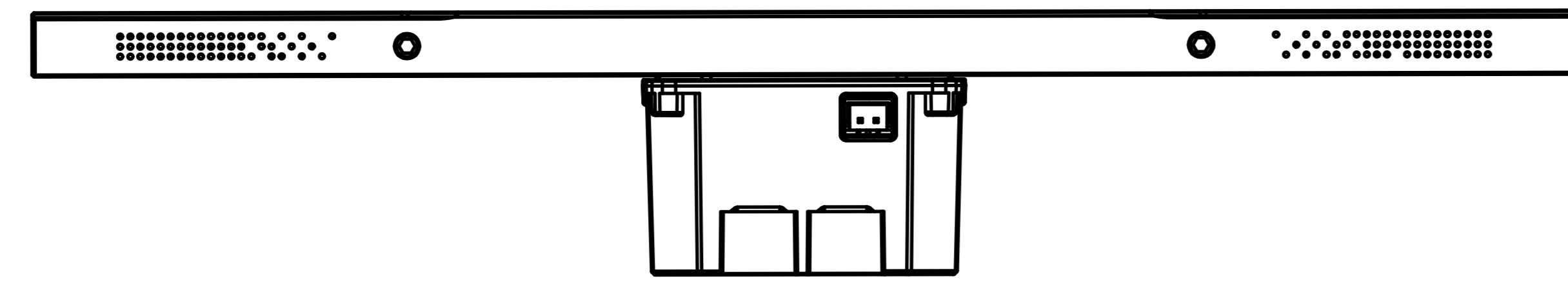
Jun 21,2024

Drawing Version

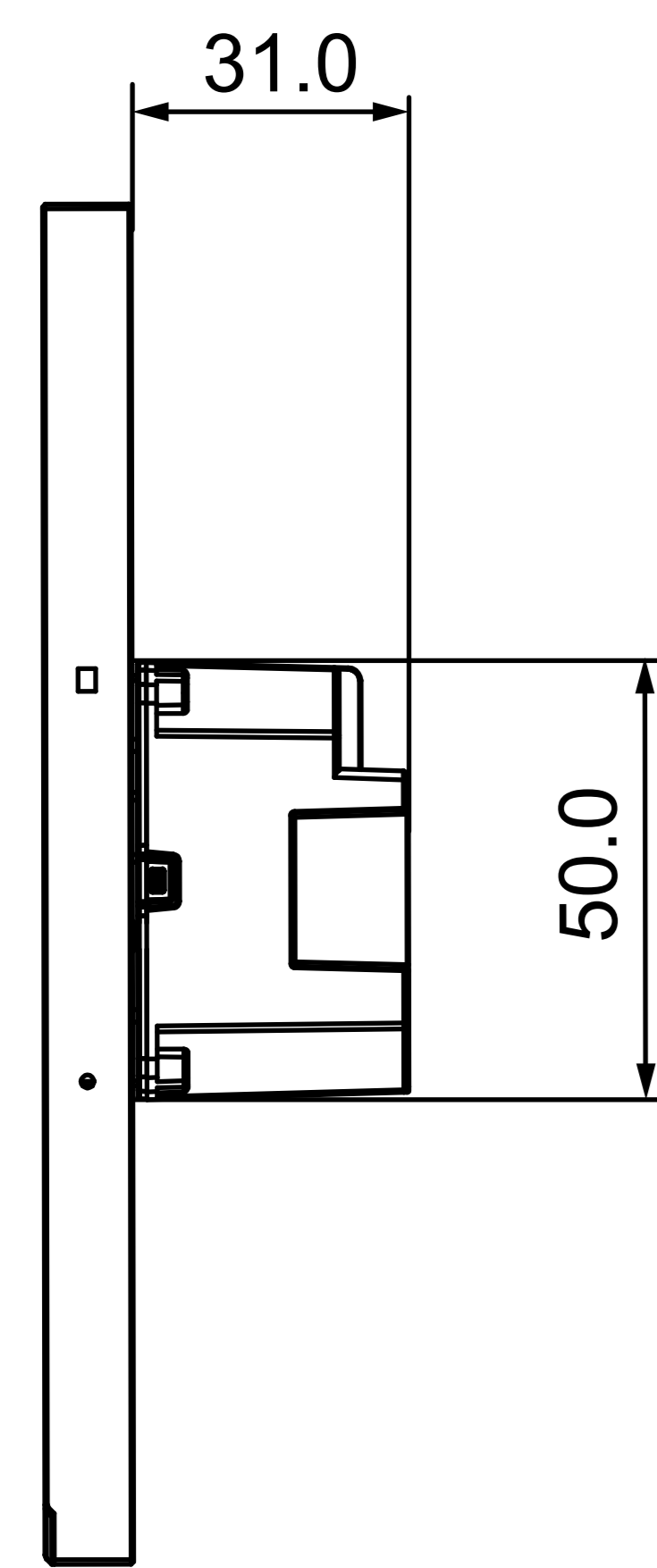
V1.0

Page

1 of 2



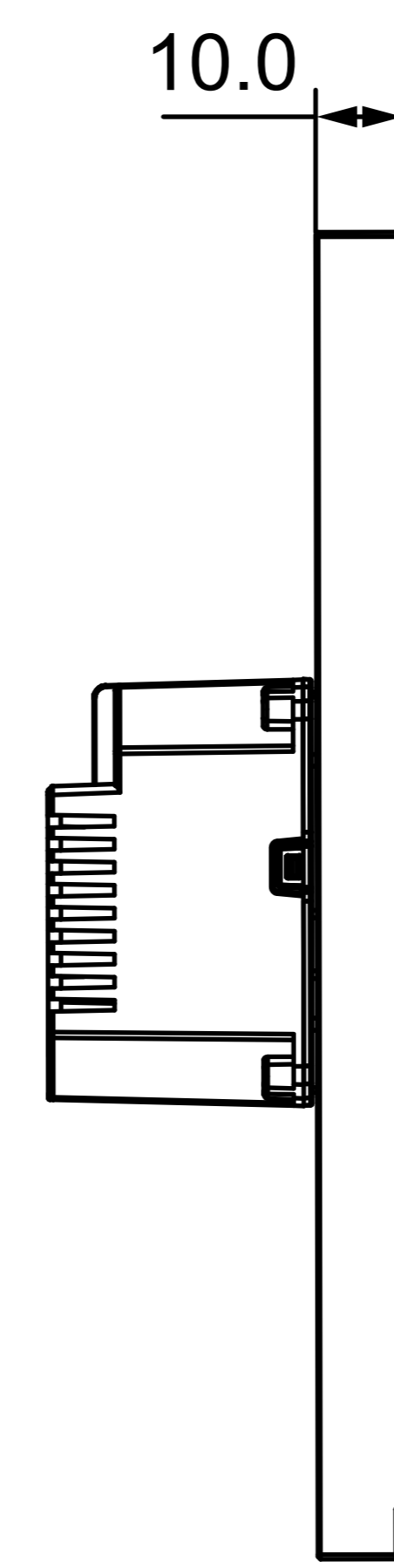
⑤ BOTTOM VIEW



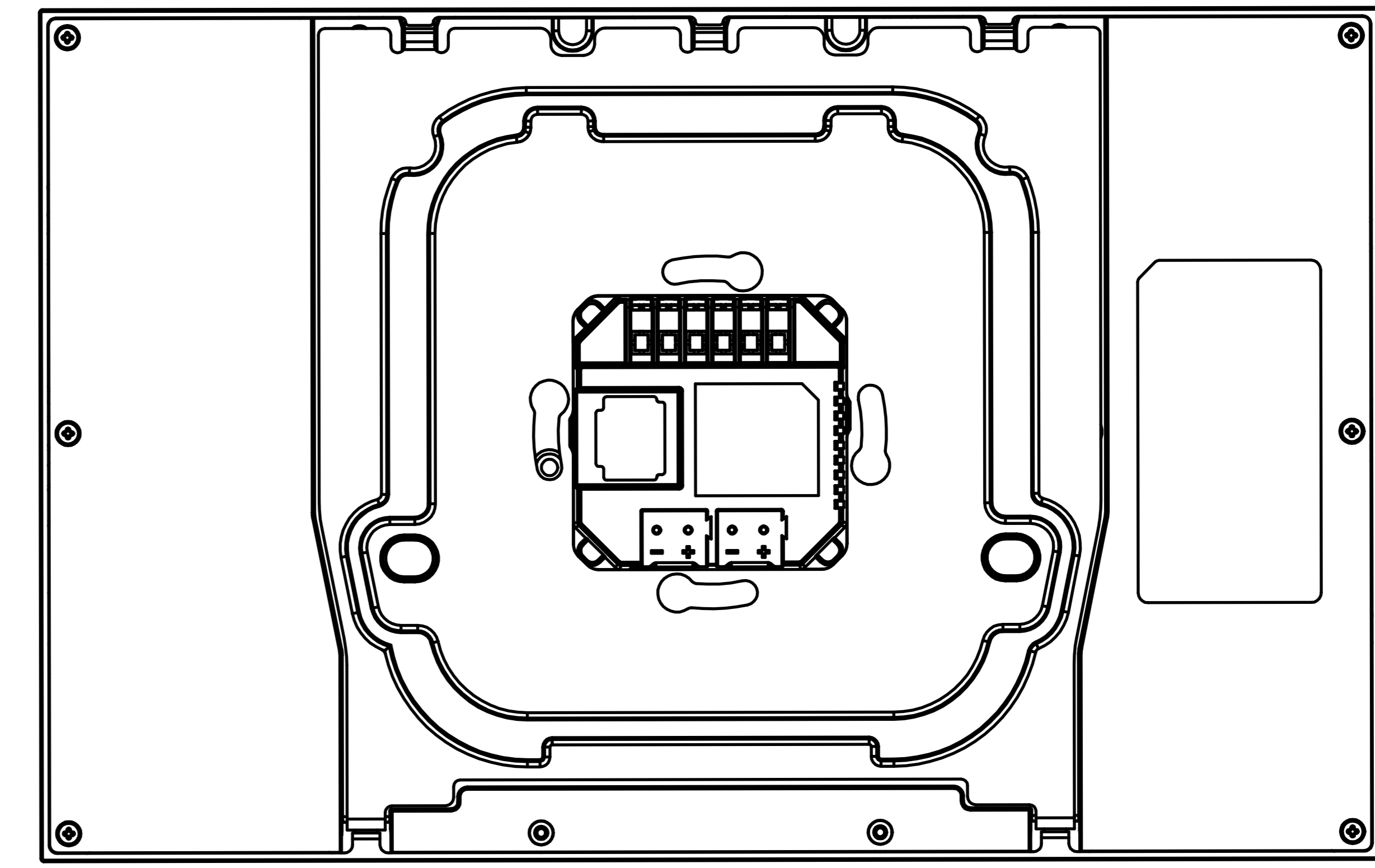
② RIGHT VIEW



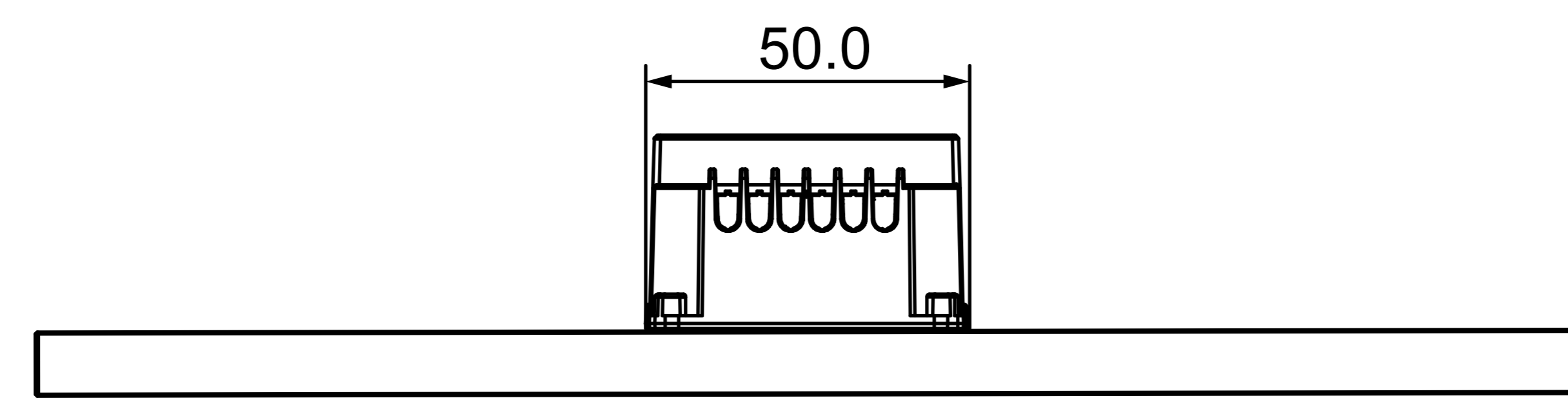
① FRONT VIEW



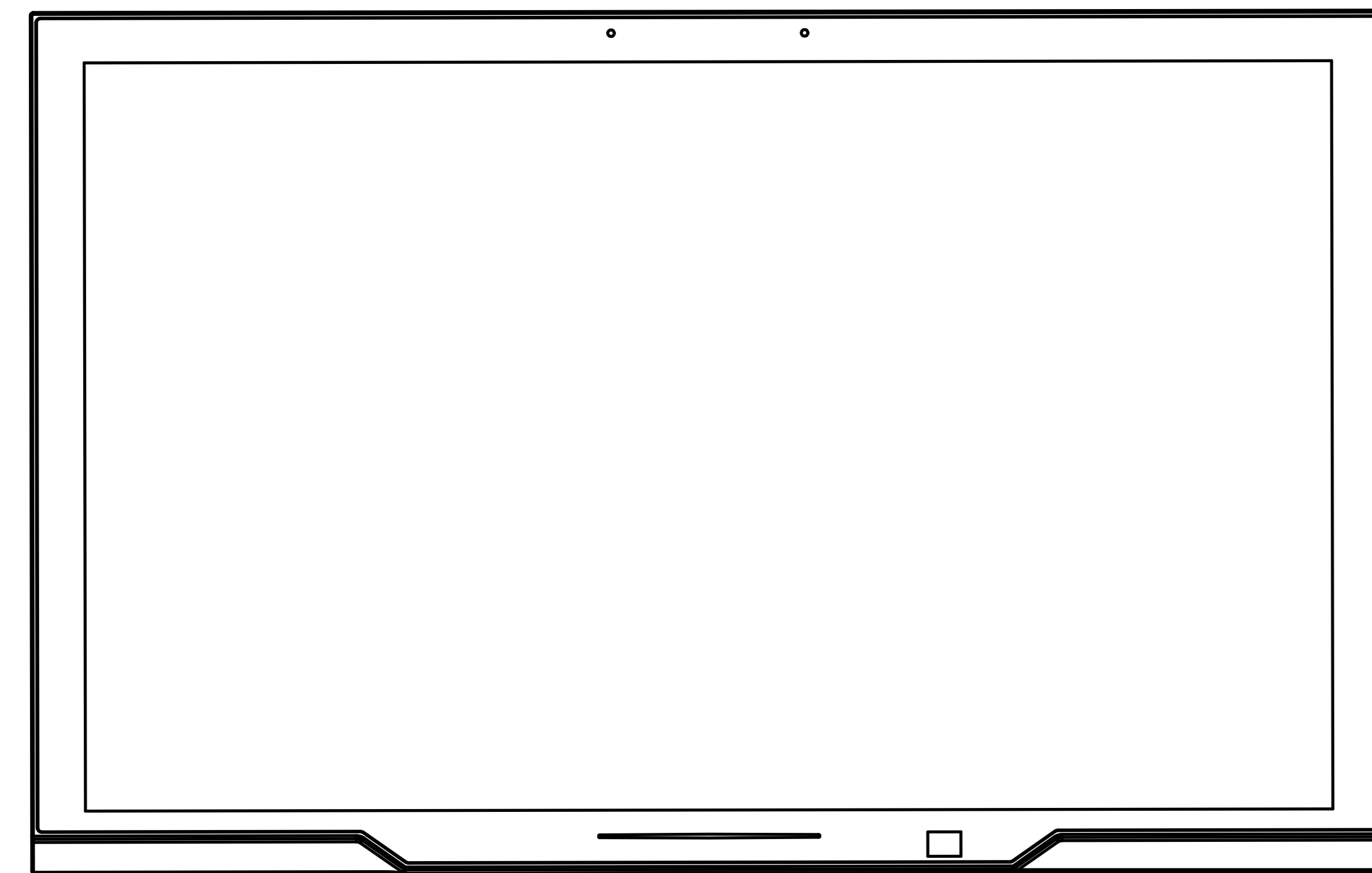
③ LEFT VIEW



④ BACK VIEW



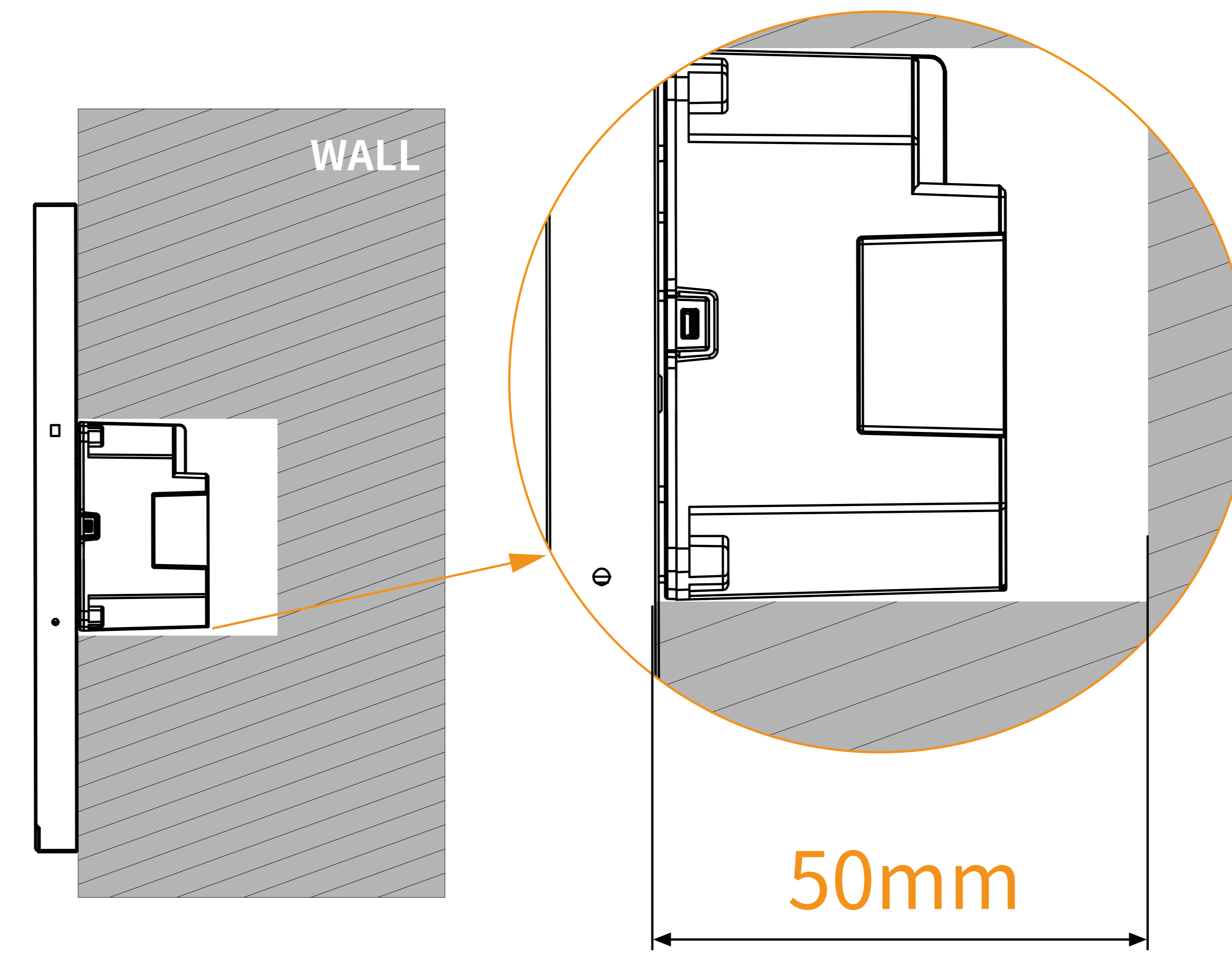
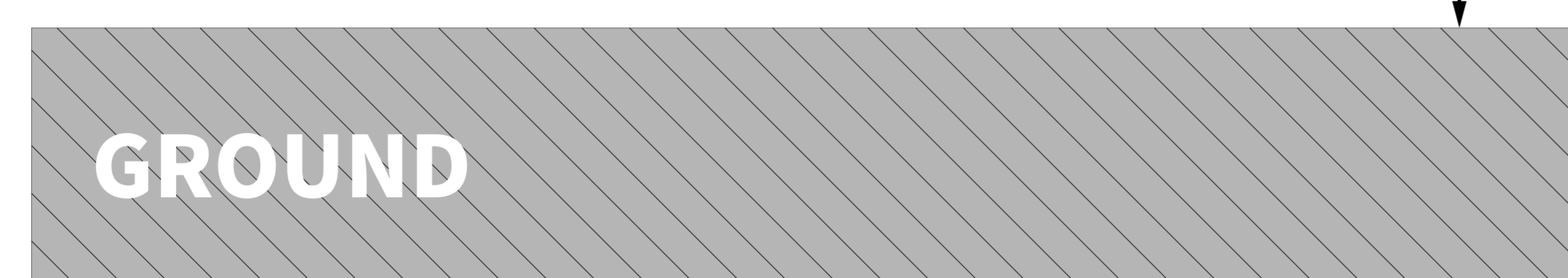
⑥ TOP VIEW



① HYPANEL ULTRA FRONT VIEW

1100-1600mm TO BOTTOM OF PANEL

ADA Compliance Requirement



② SIDE VIEW: HYPANEL ULTRA IN WALL

A 50mm(2 inches) deep electrical box is highly recommended for ease of installation. In some scenarios, especially when the wires can be pushed back into the wall far enough, it may be possible to use a 40mm(1.6 inches) deep box.

