

New hassle-free smart control panel for your home

The akubela HyPanel Lux, a smart home control panel with an Android 10 operating system. The ALL IN ONE design integrates smart intercom, ZigBee gateway, infrared remote control and home automation, and is compatible with plentiful ecosystem. The copper knob wrapping a circular display with a more than 16 million colors RGB light-strip ring, together with 4 AG glass buttons brings a multi-mode interaction, can be easily used by the whole family, offering the excellent smart home experience.

At a Glance

- 2.1-inch touch screen with 4 AG-glass physical buttons
- Infinite metal knobs with damping and ratchet mode
- Light ring with more than 16 million colors
- Kinds of sensors and Infrared remote control built-in
- Support horizontal and vertical installation adaptive
- Android 10 system in High-powered Qualcomm chip
- Smart intercom, ZigBee gateway, home automation ALL IN ONE



Basic Information

- Model Number: RT61-PoE-EU
- Power Supply: IEEE802.3af PoE & 12 - 24VDC
- Operation System: Android 10
- RAM/ROM: 1GB/8GB
- Wi-Fi: IEEE802.11 b/g/n, @2.4GHz/5GHz
- Bluetooth: Bluetooth 4.2
- Ethernet Port: 1×RJ45, 10/100Mbps adaptive
- ZigBee: ZigBee 3.0
- ZigBee Sub-Device Limit: 128
- RS485 Port: Supported
- Microphone: Dual microphones, -42dBV
- Speaker: Dual speakers, 8Ω/1.5W
- IR Control Coverage: Horizontal 90°, vertical 90°, 6m

Appearance

- Material: V0 fireproof PC + 4 AG glass buttons + 1 metal knob
- Screen: 2.1" multi-touch screen
- Screen Resolution: 480×480 pixels
- Screen Brightness: 210 cd/m²

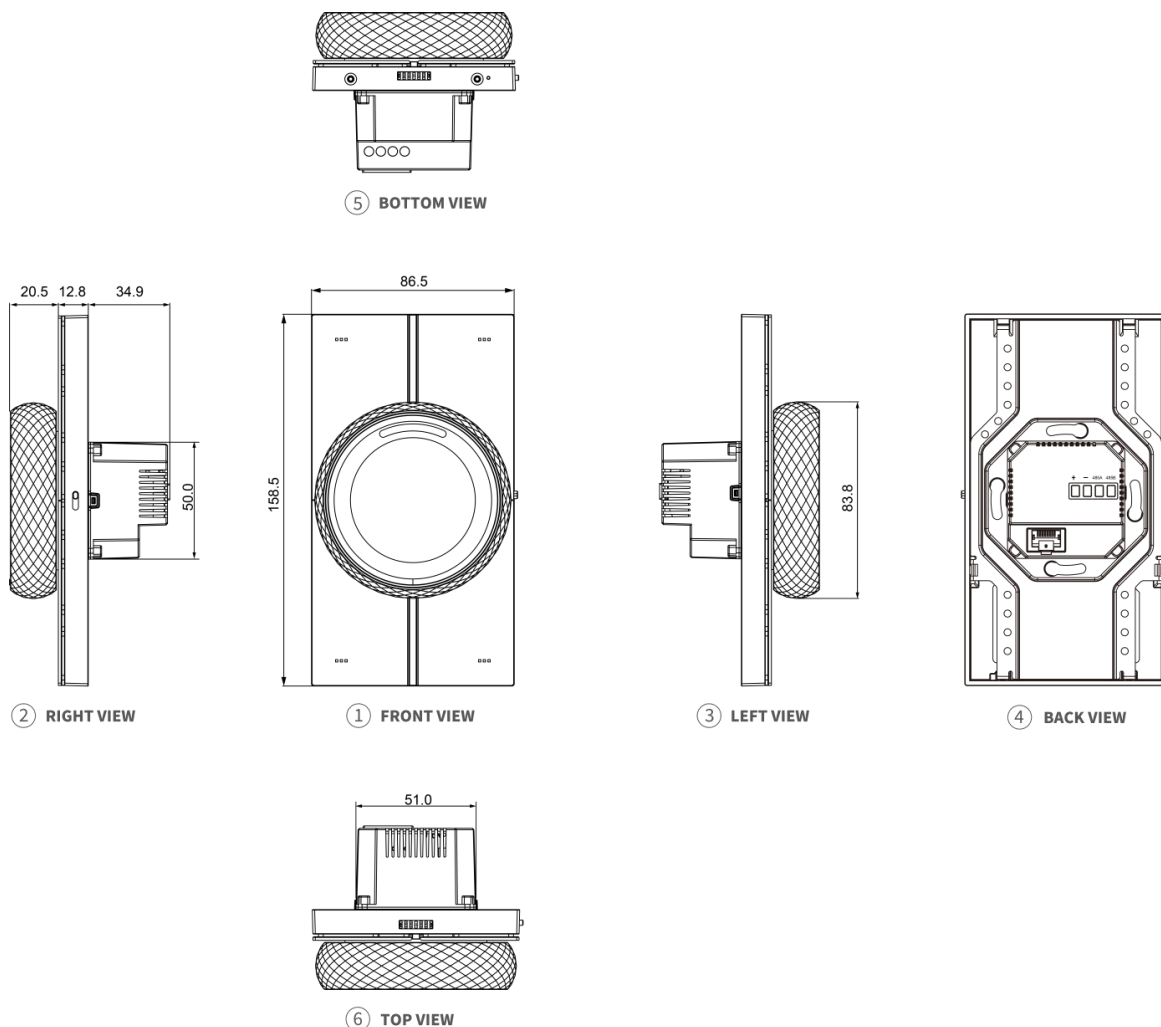
Sensors Built In

- Proximity Sensor: 30 ~ 60cm
- Light Sensor: Low-level lux detection
- Temperature Sensor: $\pm 1^{\circ}\text{C}$, range: -10°C ~ 55°C
- Humidity Sensor: $\pm 5\%$, range: 10% ~ 90%RH, without condensation
- Gravity Sensor: 3-axis

Working Environment

- Environment: For indoor use only

Product Dimension Diagram (mm)



- Working Humidity: 10% ~ 90%RH, without condensation
- Working Temperature: -10°C ~ 55°C
- Storage Temperature: -30°C ~ 70°C
- IP Rating: IP20

Installation

- Installation: Wall flush mounting
- Flush Mounted Module: EU/UK standard