



# Installation Guide

For HyPanel



Smarter Home  
Sweeter Life

# Welcome!

This guide applies to KS53-R2-EU model of HyPanel KeyPlus.

## Contents

|                           |    |
|---------------------------|----|
| Before We Start.....      | 2  |
| In the Box .....          | 3  |
| Check Compatibility ..... | 4  |
| Wiring.....               | 7  |
| Installation .....        | 10 |
| Get Help .....            | 18 |

# Before We Start

Your first time installing this product may take up to 40 minutes. You'll get faster after each installation.



## Warning

The installation procedure involves handling high voltage wiring. Please be careful. To avoid serious personal injury, death, or property damage, turn OFF the power to the circuit and follow all safety precautions before proceeding.

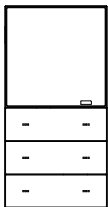
Working with electricity can be dangerous. If you are unsure about, or uncomfortable with the installation, seek the help of a qualified electrician.



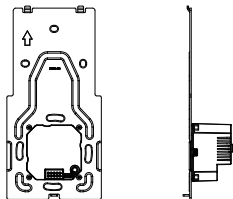
## Warning

Keep the device and all its parts out of the reach of children. The small parts or accessories contained may be a choking hazard to them.

# In the Box



HyPanel KeyPlus x1



Flush Mounted Module x1



ST3x20mm Phillips Self  
Tapping Screw x5



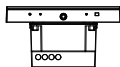
Drywall Anchor x3



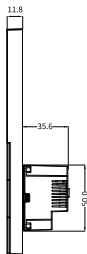
Hex Key x1

# Check Compatibility

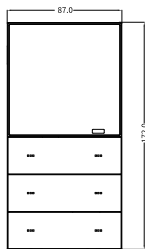
## Product dimensions(mm)



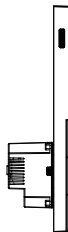
⑤ BOTTOM VIEW



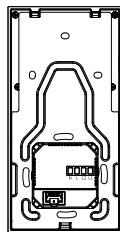
② RIGHT VIEW



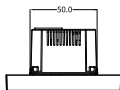
① FRONT VIEW



③ LEFT VIEW



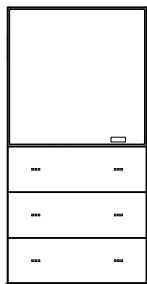
④ BACK VIEW



⑥ TOP VIEW

## Working space

Make sure HyPanel KeyPlus is compatible with the location where you want to install it.

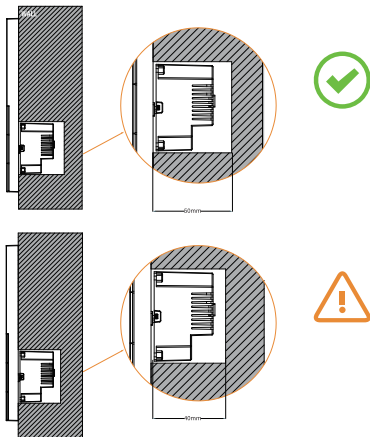


① HYPANEL FRONT VIEW

1100-1600mm TO BOTTOM OF PANEL

ADA Compliance Requirement

GROUND



② SIDE VIEW: HYPANEL IN WALL

A 50mm(2 inches) deep electrical box is highly recommended for ease of installation. In some scenarios, especially when the wires can be pushed back into the wall far enough, it may be possible to use a 40mm(1.6 inches) deep box.

## **Maximum load**

- The total load of the device(s) connected to flush mounted module must be less than 1200W(Max load).
- The wattage of a resistive load appliance, e.g., an incandescent bulb, must be less than 800W.
- The wattage of a LED lamp or a compact fluorescent lamp (CFL) must be less than 400W.
- You must check the load compatibility before connecting other types of devices that are not mentioned above.

## **180-260V AC, 50 Hz power required**

HyPanel KeyPlus can be used with varying standard voltages, from 180V to 260V AC, at a frequency of 50Hz.

## **Neutral wire required for installation**

A neutral wire is required for the device to function properly.

## **Support Wi-Fi connection**

HyPanel KeyPlus supports Wi-Fi 6 connectivity on both 2.4GHz and 5GHz frequency bands, complying with the IEEE802.11 a/b/g/n/ac/ax standards.

# Wiring

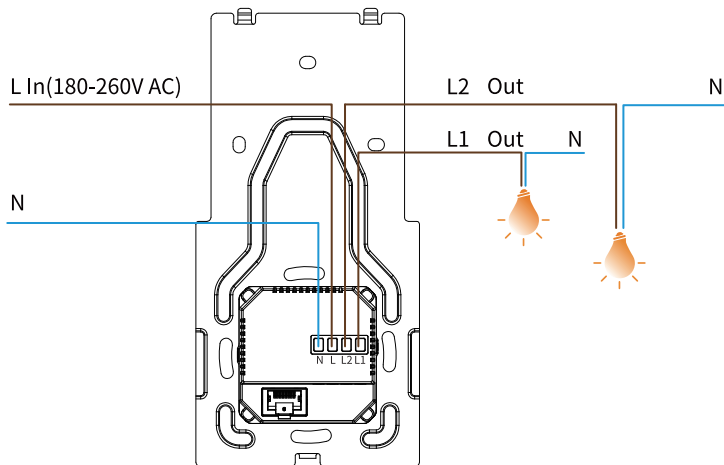


## **Warning**

Turn OFF the circuit breaker before wiring and proceeding!  
Always use a voltage detector to verify the power is OFF  
before wiring and installation!



## Wiring Diagram



- A Neutral wire(N) typically comes from the wall.
- The Line wire connects to the L terminal, providing 180-260 Volts of power to the load devices.
- L1 and L2 are Load wires that connect the HyPanel KeyPlus to the light bulbs or other devices, e.g., fans or curtain motors.

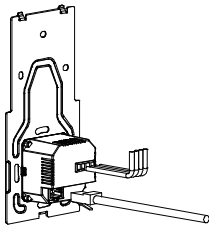
## Connect wires

### 1 Strip and straighten wires



Wires connected to HyPanel KeyPlus should have stripped and straight ends. Remove the plastic sheathing of the wire, and make sure the exposed wire ends measure approximately 8 mm (5/16 inch) in length.

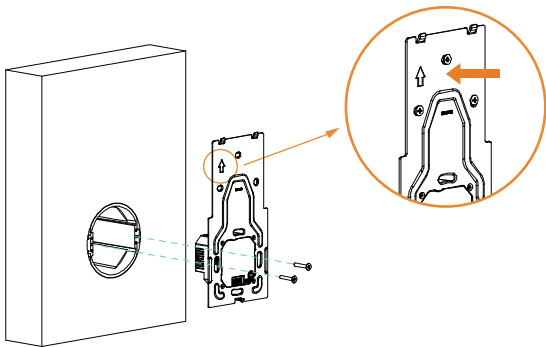
### 2 Connect all wires



- Plug the wires to the corresponding terminals.
- Tighten the screws with a screwdriver until wires are secure.
- Double check by gently tugging on each wire.

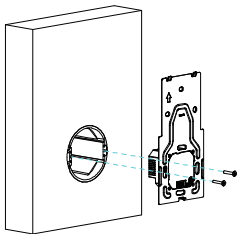
# Installation

## ① Confirm installation direction

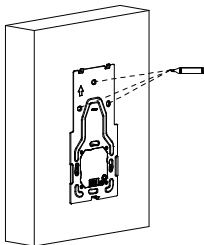


Ensure the arrow on the front of the flush mounted module is always pointing up.

## 2 Mark holes for drilling

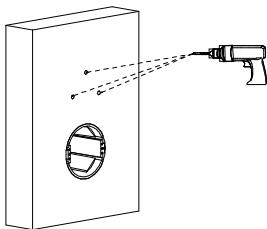


Secure the flush mounted module to the electrical box using two ST3x20 screws.



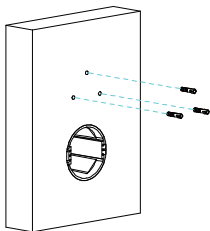
Use a pen to mark out the position of the required holes.

### 3 Drill holes

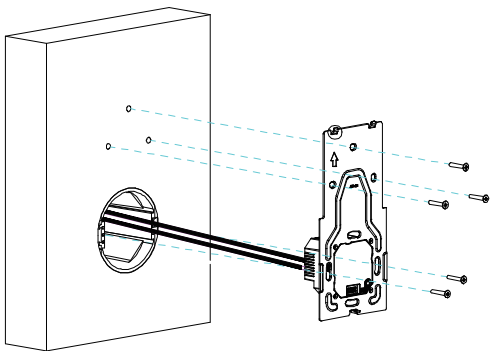


- ◆ Remove the ST3x20 screws and then the flush mounted module.
- ◆ Drill three holes at the marked positions, each 5mm wide and 20mm deep.

### 4 Install flush mounted module

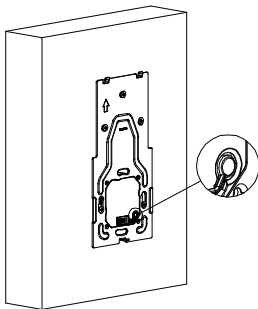


Install three wall anchors into the drilled holes. Make sure that the tips of the anchors are flush with the wall surface.



- ◆ Ensure the module is level and flush against the wall.
- ◆ Change the torque on the electric screwdriver to 5kgf.cm.
- ◆ Use five ST3x20 screws to secure the flush mounted module to the wall, avoiding over-tightening.

## 5 Test connected devices



- Turn on the circuit breaker to provide power to the flush mounted module.
- Press the button on the module to check if the connected devices can work.
  - Press the button once, the device connected to L1 will be turned on/off .
  - Double-press the button, the device connected to L2 will be turned on/off .
  - Long press the button, two connected devices will be turned on/off simultaneously.

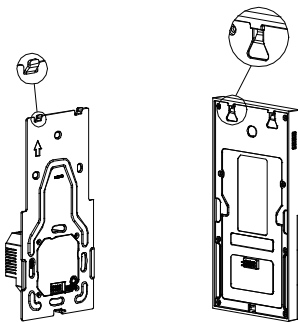
If the devices cannot function, do NOT install the panel. Turn the power off and re-check the wire connections.

## 6 Install panel



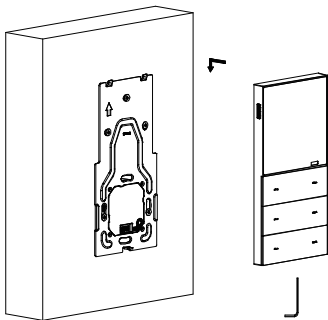
### Warning

Turn OFF the circuit breaker before you install the panel.



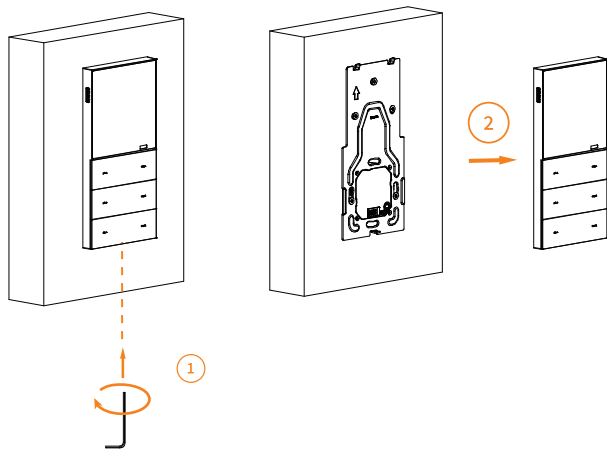
Align the two clips on the flush mounted module with the notches on the panel. Snap the panel into place and press it down firmly.





- ◆ Check the panel is properly clipped onto the module and is flush against the wall.
- ◆ Locate the screw hole on the bottom of the panel. There is a screw already in it.
- ◆ Tighten the screw with the included hex key.

## If you need to remove the panel



1. Use the hex key to loosen the screw until the bottom edge of the panel is free.

2. Hold the panel's top with one hand, and pull it outwards from the bottom.

# Congratulations!

You are done with the HyPanel KeyPlus installation!

Start your smart home journey with akubela now!

## Get Help

For help or more assistance,  
contact us at: <https://ticket.akuvox.com/>

For videos, guides, and additional product formation,  
visit us at: <https://knowledge.akuvox.com>

 akubela



YS5300016