

Product Introduction

This sleek and stylish curtain switch can be easily connected to the curtain motor, transforming traditional curtains into smart ones. Whether it's in a sunny morning or a peaceful night, you can effortlessly open and close your curtains with a simple touch or remotely via the app.

Features

- Control traditional curtain motors
- Smooth, fingerprint-resistant AG glass
- Two color options available
- Compatible with standard EU electrical boxes
- Wide voltage range for broad applications

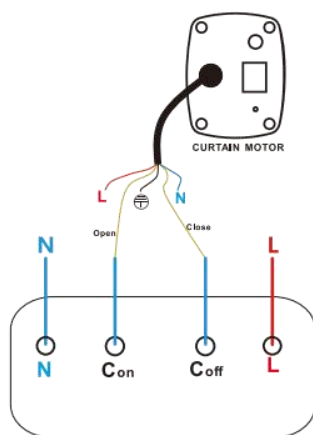


Specification

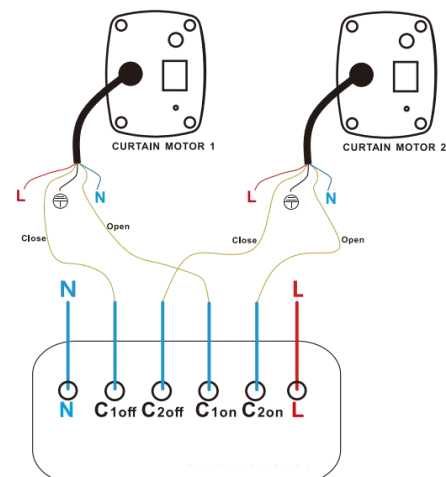
- Product Model: SM-1C/SM-2C
- Communication : ZigBee 3.0
- Input Voltage: 110~250VAC 50~60Hz
- Maximum Current: 10A per channel
- Standby Power Consumption: <math><0.2W</math>
- Working Temperature: $-30 \sim 60^{\circ}C$
- Working Humidity: $0 \sim 95\%RH$ (non-condensing)
- Dimensions: $86 \times 86 \times 35cm$

Wiring Diagram

• 1 GANG CURTAIN SWITCH



• 2 GANG CURTAIN SWITCH



Networking method

1. Connect the power supply according to the wiring diagram to power the device.
2. Press and hold any button for about 10 seconds until the indicator flashes quickly, indicating that it has entered pairing mode.
3. Add the device to the network through a gateway device.