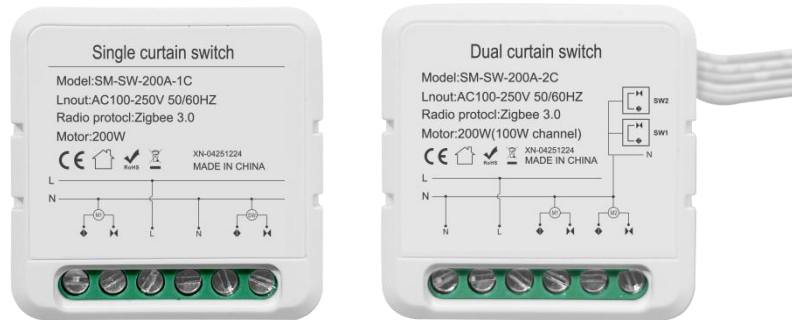


Product Introduction

This smart curtain module can be connected to traditional curtain motors for intelligent control. It supports voice control, app remote operation, and automated scheduling for effortless curtain management. It also integrates with smart home devices to create a personalized intelligent living experience.

Features

- Compact design for easy installation
- Available in 1-2 channel options
- Compatible with various motor types
- Universal voltage compatibility for wide applications
- Support control via Belahome APP and HyPanel

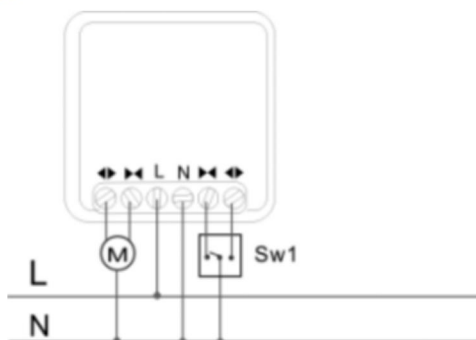


Specification

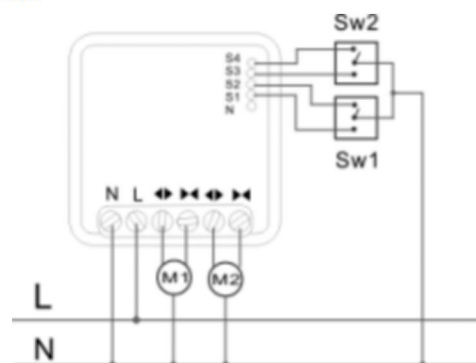
- Model: SM-SW-200A-1C / SM-SW-200A-2C
- Communication: ZigBee 3.0
- Load Power: 200W per channel (1 channel / SM-202-Az)
- 100W per channel (2 channels / SM-202-B)
- Input Voltage: 100-240VAC
- Rated Torque: 1.2 N.m
- Protection Level: IP20
- Operating Temperature: 0 ~ 55°C
- Dimensions: 42 x 42 x 21 mm
- Certifications: CE/ROHS

Wiring Diagram

1CH



2CH



Networking method

1. Connect the power cables according to the wiring diagram and power on the device.
2. Press and hold the reset button for about 10 seconds until the indicator light flashes rapidly, indicating that the device is in pairing mode.
3. Add the device to the network via the gateway.